

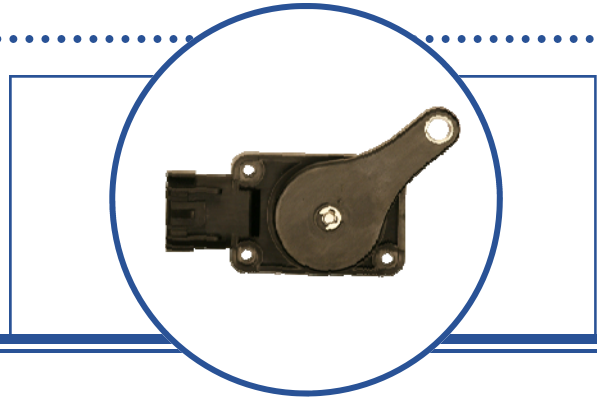
# Non-Contacting Rotary Position Sensor

## OABS3000 Series



### Features:

- Low profile package with universal mounting
- Robust Accurate Autopad™ Non-Contact Inductive Sensing
- Patent pending technology
- Electronics are isolated from the moving parts and rotating arm
- Universal output formats from 90° to 360° of rotation
- Standard arm length 43mm—Custom lengths available on request

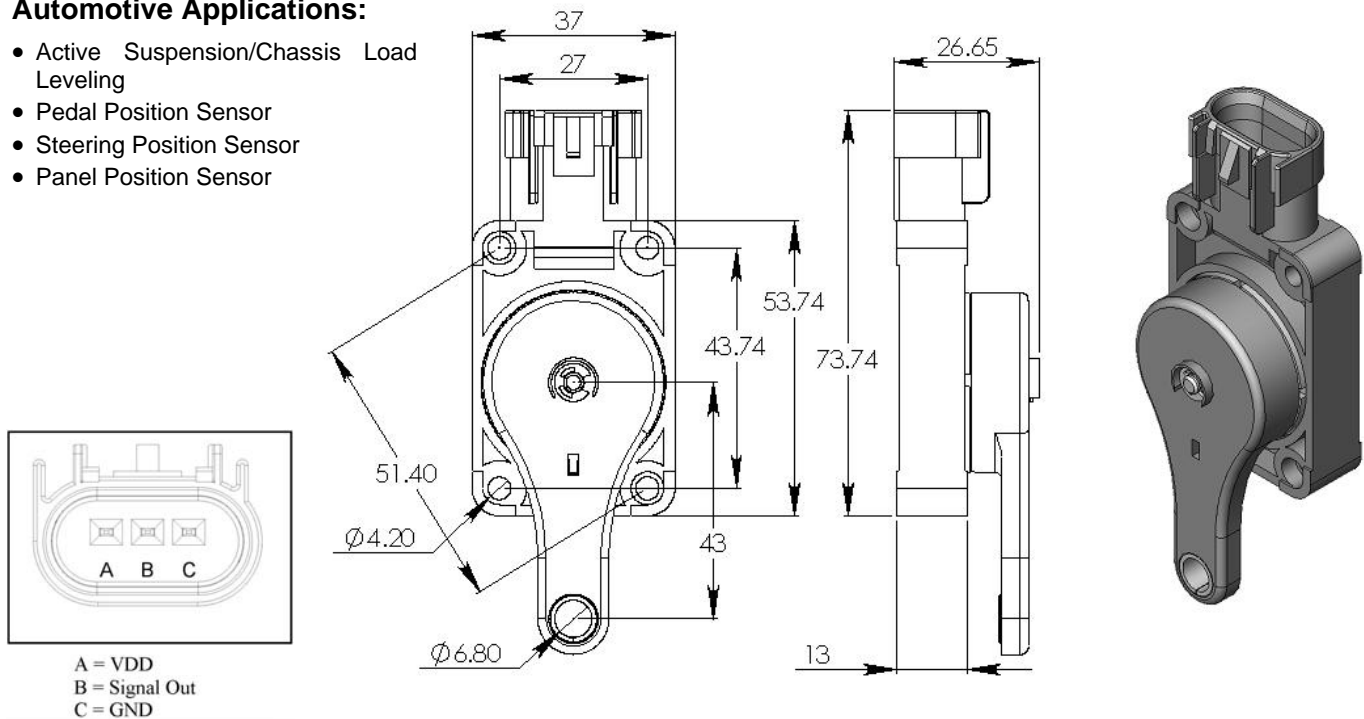


### Description:

- The **OABS3000** Series is an inductive non-contacting rotary position sensor.
- The **OABS3000** Series accommodates mounting on either side with two 5mm self tapping screws; alternately, it may be mounted using M5 mounting screws in threaded mounting inserts.
- The electronics on the PC Boards are isolated from the rotating arm. The electrical output can be either Analog or Pulse Width Modulated (PWM) for ease of interfacing to secondary electronics.
- The universal output can be segmented into several groups up to 360° of rotation. Other available output segmentations are 4X90°, 3X100°, 3X120°, or 2X180°. The starting point of the output format can be programmed to specific customer requirements.
- The standard arm length is 43mm.
- <sup>(2)</sup> For custom versions of this device, contact your OPTEK representative.

### Automotive Applications:

- Active Suspension/Chassis Load Leveling
- Pedal Position Sensor
- Steering Position Sensor
- Panel Position Sensor



RoHS

All dimensions in (mm) unless otherwise specified.

### Absolute Maximum Ratings ( $T_A=25^\circ\text{C}$ unless otherwise noted)

Storage Temperature Range	-40° C to +105° C
Operating Temperature Range	-40° C to +105° C

### Output Characteristics

Supply Voltage	5 V $\pm$ 10%
Sensor Output	Analog Ratiometric Single Output or Pulse Width Modulation (PWM) output also available
Resolution	12 bit
Total Linearity Error (Absolute)	$< \pm 2\%$
Current Draw (Max)	15 mA <sup>(2)</sup>
Mating Connector	Packard—3 Pin—PN: 13511996 <sup>(2)</sup>
Mounting Feature	Two per side, diagonal thru hole for self tap screw <sup>(2)</sup>
Arm Length	43 mm <sup>(2)</sup>
Arm rotation range (No internal stops, No return spring)	360° <sup>(2)</sup>

